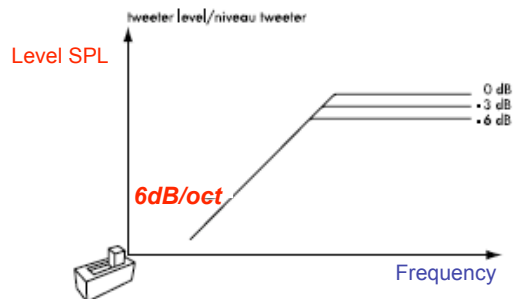
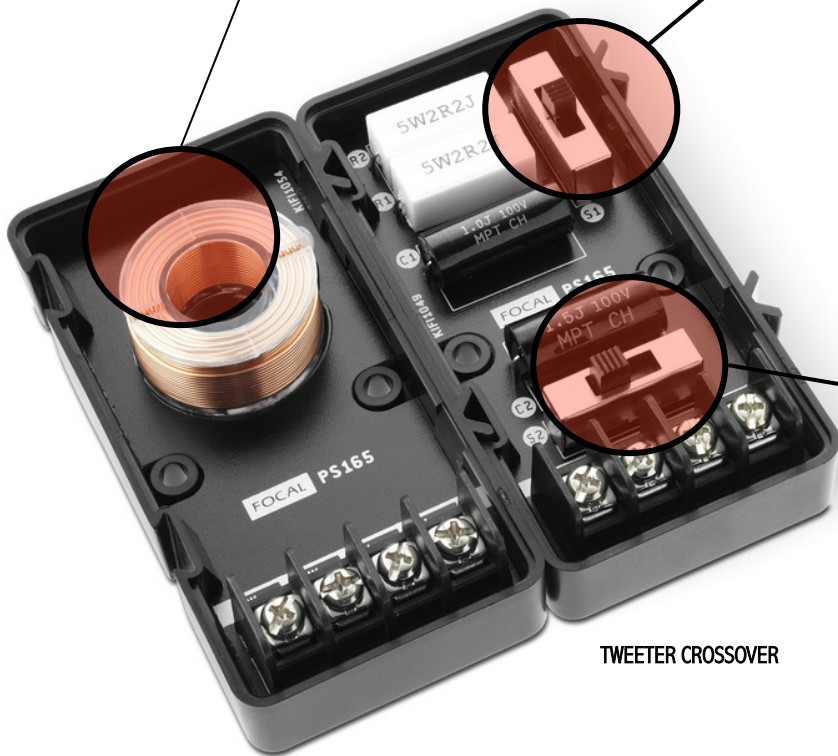




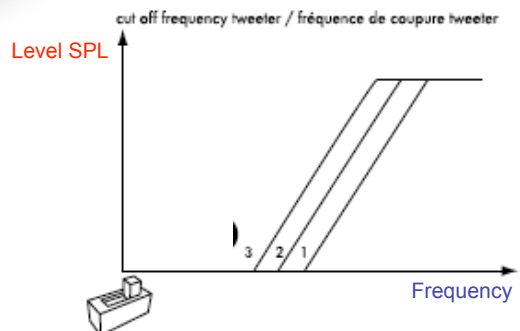
## SEPARATED CROSSOVER

**WOOFER Cut off frequency**  
3,5 kHz  
**6dB/oct**

**TWEETER level adjustment**  
0 / -3 / -6 dB

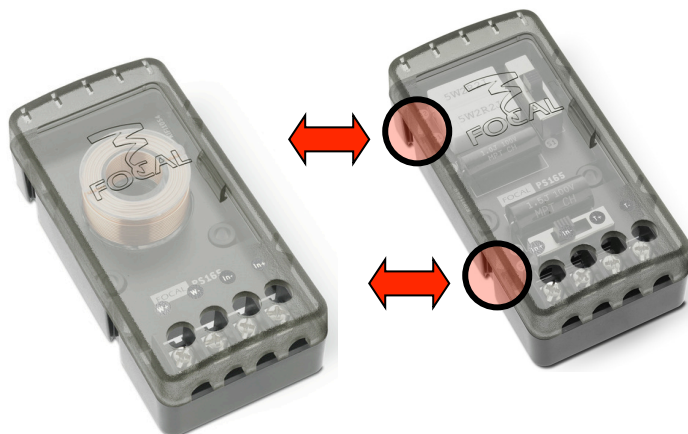


**TWEETER Cut off frequency**  
Position 1= 5KHz  
Position 2= 4,5KHz  
Position 3= 4KHz



WOOFER CROSSOVER

TWEETER CROSSOVER



### ADVANTAGES

- Separated boxes (easy to install)
- Quick and easy to adjust
- Easy woofer crossover

### DISPLAY Adjustment

- « Tweeter level » : 0
- « Cut off frequency » : Position 3