

ISUB BMW 8

Technical Sheet

Subwoofer

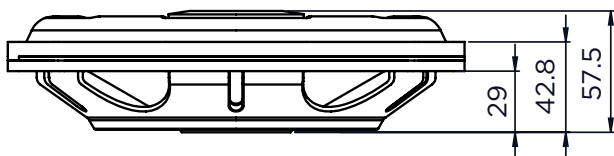
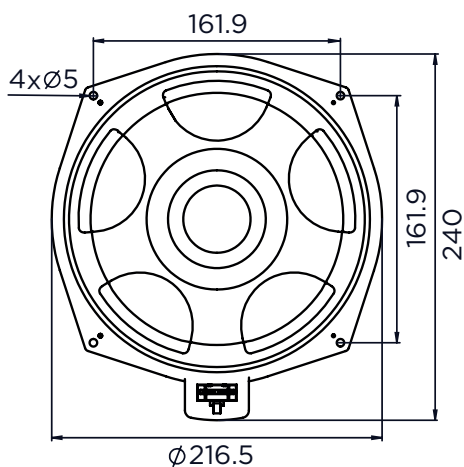


SPECIFICATIONS

Nominal power	90 W
Maximum power	180 W
Sensitivity	89 dB
Nom. impedance	8 Ω
Cone	Paper
Surround	Butyl
DC resistance	6.6 Ω
VC diameter	50mm 2"
Former	Aluminium
Layers	2
Wire	Copper
Net weight	990g 2.18 lbs
Frequency reponse	35-200 Hz

MECHANICAL DRAWING

Dimensions in mm



PARAMETERS

Rdc	6.6 Ω
Fs	40 Hz
Mms	40 g
Cms	0.3 mm/N
Vas	18 l
Qts	0.65
Qes	0.9
Qms	3
Bxl	9.2 N/A
Sd	213 cm ²
SPL	84 dB
Xmax	6.5 mm

FOCAL® INSIDE

Focal® is a trademark of Focal-JMLab® - www.focal.com - SCBC - 18/04/2024 - v1

FOCAL®